

PKS-PRO-E-10-B - Servo System

FEATURES

- **Input Voltage Range of 170-253 VAC**
- **Rated Torque of 677-1,352 oz-in**
- **1.0 kWatt Power Rating**
- **2,500 PPR Incremental Encoder**
- **Fully Enclosed and Self-Cooled**
- **Oil Seal and Optional Brake**
- **High Overload Capacity**
- **MODBUS and CANopen Standard**
- **RS485 Interface**
- **Real Time Monitoring and Management**
- **Position, Speed, and Torque Control**



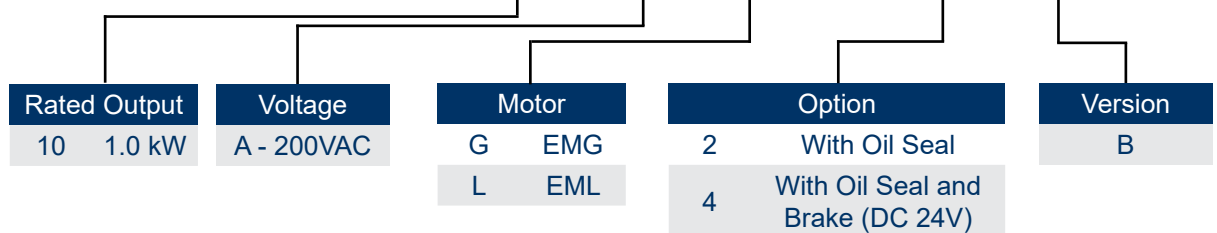
DESCRIPTION

The PKS-PRO-E-10-B servo system includes a 1.0 kWatt EMG or EML AC Servo Motor operated by the PRONET-E-10A drive. These packages are ideal for quick and easy start-ups, convenience and performance! The servo motor included in this package provides torque from 677 to 1,352 oz-in. The PRONET drives offer current forward-feedback control, acceleration forward-feedback control, speed viewer, and inertia viewer; providing for improved response performance. These drives operate standard with MODBUS and CANopen protocol. Each system includes a 5M motor power cable, 5M encoder cable, and a 3M communication cable.

System Specs	Rated Speed (RPM)	Rated Torque (oz-in)	Rated Current (A rms)	Inertia (oz-in-sec ²)	Torque Constant KT (oz-in/A)	Resistance (ohms)	Inductance (mH)	Driver Digital Display	Brake (24VDC)	Motor Length (mm)	Shaft Diameter (mm)
PKS-PRO-E-10-A-GP22-B	2000	677	5.8	0.1869	151.5	0.96	6.18	Yes	No	203	22
PKS-PRO-E-10-A-GP24-B	2000	677	5.8	0.2025	151.5	0.96	6.18	Yes	Yes	245.5	22
PKS-PRO-E-10-A-LP22-B	1000	1352	5.5	0.3327	303.7	1.616	11.47	Yes	No	265	22
PKS-PRO-E-10-A-LP24-B	1000	1352	5.5	0.3483	303.7	1.616	11.47	Yes	Yes	319.5	22

ORDERING INFORMATION

PKS-PRO - E - 10 - A - LP 2 2 - B



L011615

EMG-10 Motor Specifications

FEATURES

- **Rated Torque of 677 oz-in**
- **3-Phase, 200VAC**
- **Medium Inertia to Maximize Torque**
- **Peak Torque up to 300% of Rated Torque**
- **Peak Current up to 300% of Rated Current**
- **Speed of up to 3,000 RPM**
- **2,500 PPR Incremental Encoder Attached**
- **Power Rating up to 1.0 kWatts**
- **Oil Seal and Optional Brake**
- **Long Life and Highly Reliable**
- **Neodymium-Iron-Boron Magnets (NdFeB)**
- **CE Certified**

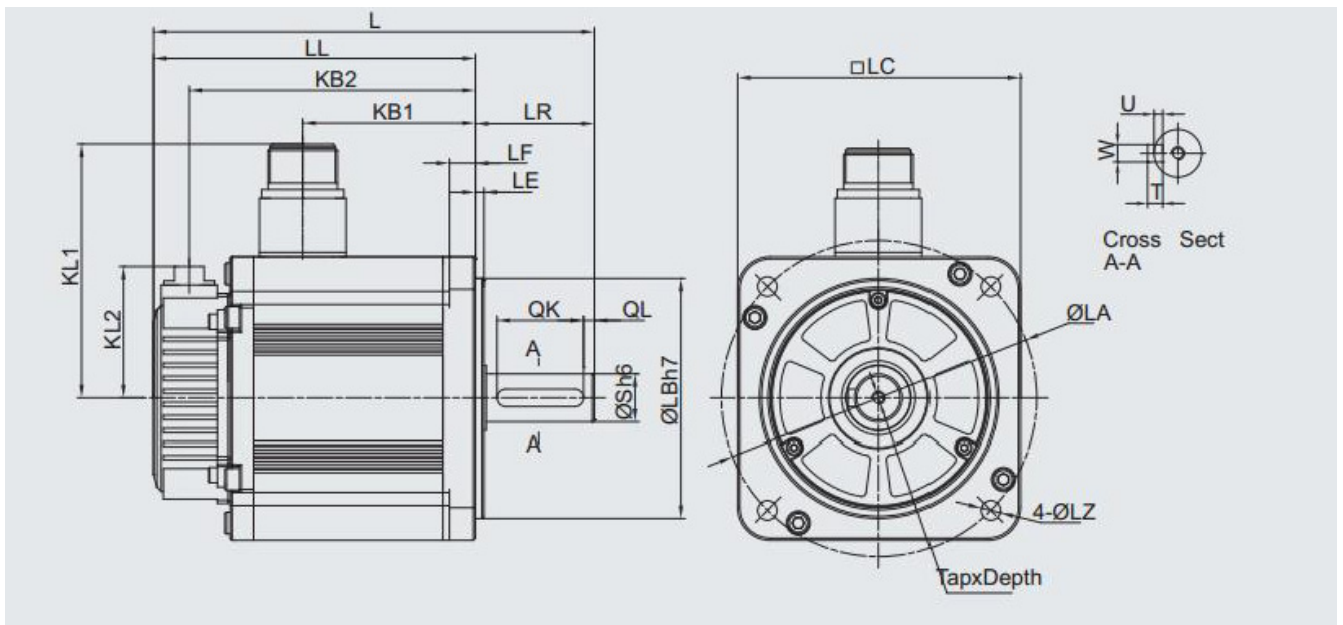


SPECS

Model #	Rated Torque (oz-in)	Rated Power (Watts)	Rated Speed (rpm)	Rated Current (A rms)	Brake (24VDC)	Inertia (oz-in-sec ²)	Electric Time Constant T _E (ms)	Back EMF Voltage K _E (V/krpm)	Torque Constant K _T (oz-in/A)	Resistance (ohms)	Weight (lbs)
EMG-10APA24	677	1000	2000	6	Yes	0.1500	11.57	61	123.1	0.7	22.22
EMG-10APB22	677	1000	2000	5.8	No	0.1869	6.44	61	151.5	0.96	17.11
EMG-10APB24	677	1000	2000	5.8	Yes	0.2025	6.44	61	151.5	0.96	21.69

Note: All Dimensions in (mm)

DIMENSIONS



Note: Motors ending in 24 are equipped with a holding brake.

MODEL #	L	LL	KB1	KB2	KL1	KL2	FLANGE SLIDE							S	Tapx-Depth	KEY				
							LR	LE	LF	LC	LA	LB	LZ			QK	QL	W	T	U
EMG-10APA24	269.5	215	84	190	118	79	55	4	12	130	145	110	9	22	M6x20L	40	5	8	7	4
EMG-10APB22	203	148	80	131.5	117	60.5	55	4	12	130	145	110	9	22	M6x20L	40	5	8	7	4
EMG-10APB24	245.5	190.5	103.2	174	117	60.5	55	4	12	130	145	110	9	22	M6x20L	40	5	8	7	4

EML-10 Motor Specifications

FEATURES

- Torque Rating of 1,352 oz-in
- 3-Phase, 200VAC
- Medium Inertia to Maximize Torque
- Peak Torque up to 300% of Rated Torque
- Peak Current up to 300% of Rated Current
- Speed of up to 1,500 RPM
- 2,500 PPR Incremental Encoder Attached
- Power Rating up to 1.0 kWatts
- Oil Seal, and Optional Brake
- Long Life and Highly Reliable
- Neodymium-Iron-Boron Magnets (NdFeB)
- CE Certified

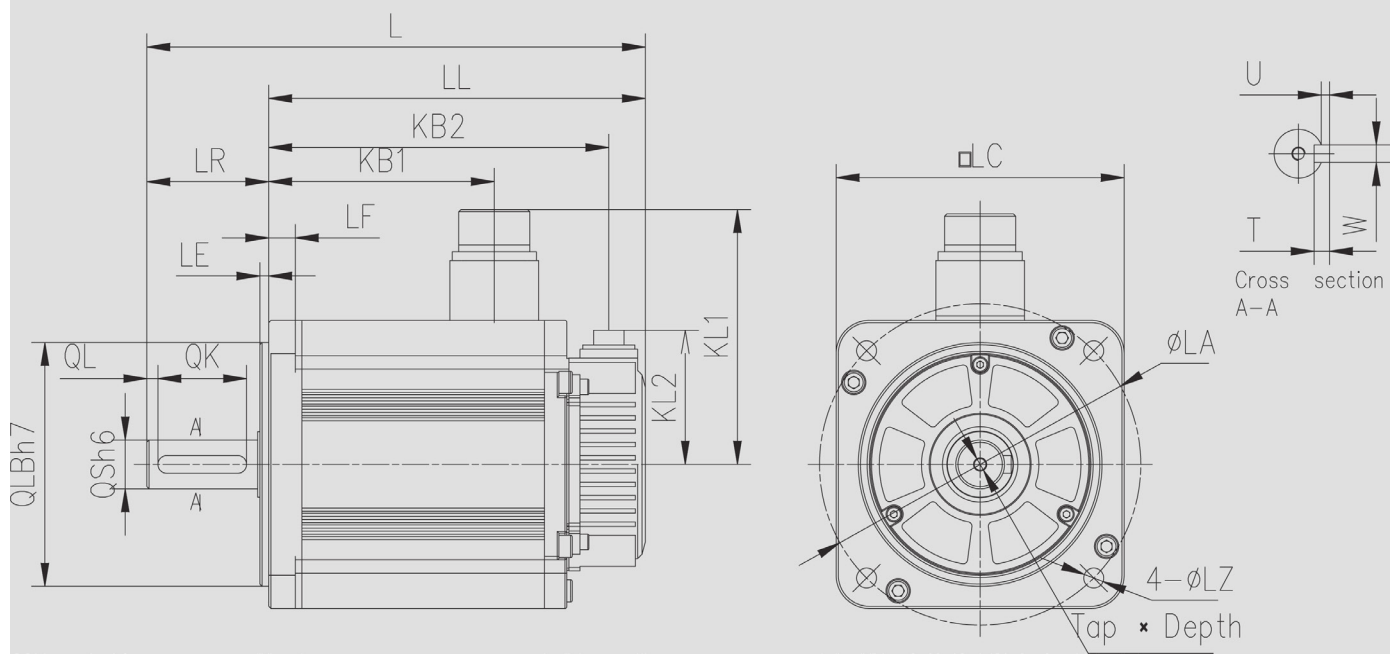


SPECS

Model #	Rated Torque (oz-in)	Rated Power (Watts)	Rated Speed (rpm)	Rated Current (A rms)	Brake (24VDC)	Inertia (oz-in-sec ²)	Electric Time Constant T _E (ms)	Back EMF Voltage K _E (V/krpm)	Torque Constant K _T (oz-in/A)	Resistance (ohms)	Weight (lbs)
EML-10APB22	1352	1000	1000	5.5	No	0.3328	7.10	124	303.8	1.616	24.5
EML-10APB24	1352	1000	1000	5.5	Yes	0.3484	7.10	124	303.8	1.616	31.44

Note: All Dimensions in (mm)

DIMENSIONS



Note: Motors ending in 24 are equipped with a holding brake.

MODEL #	L	LL	KB1	KB2	KL1	KL2	FLANGE SLIDE						S	TapxDepth	KEY					
							LR	LE	LF	LC	LA	LB			LZ	QK	QL	W	T	U
EML-10APB22	247	192	124	175.5	117	60.5	55	4	12	130	145	110	9	22	M6x20	40	5	8	7	4
EML-10APB24	289.5	234.5	147.2	218	117	79	55	4	12	130	145	110	9	22	M6x20	40	5	8	7	4

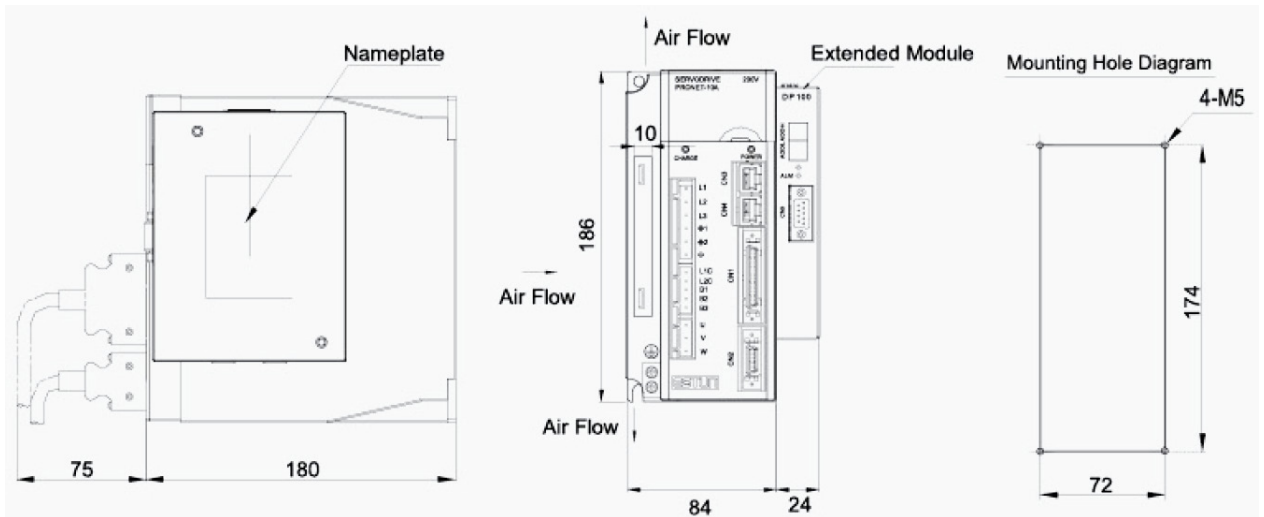
PRO-E-10 Driver Specifications

FEATURES

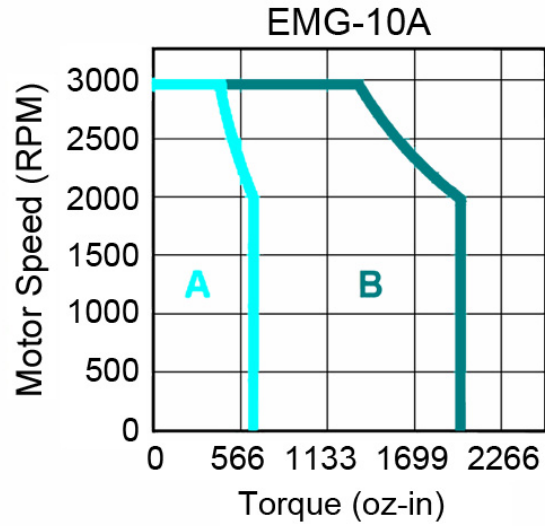
- Input Voltage Range of 170-253 VAC
- Rated Power up to 1.0 kWatts
- Improved Responsiveness Performance
- Enhanced Position Precision
- Low Speed Stability
- Enables Less Debugging
- MODBUS and CANopen Standard
- RS485 Interface
- Position, Speed, and Torque Control
- Homing Function



PRONET DIMENSIONS

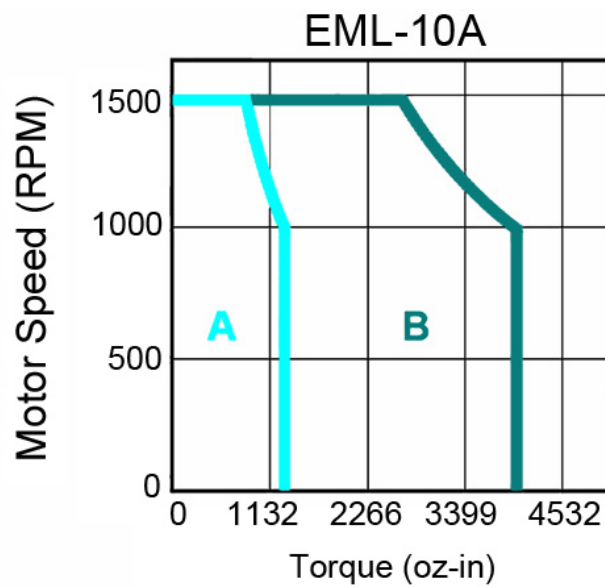


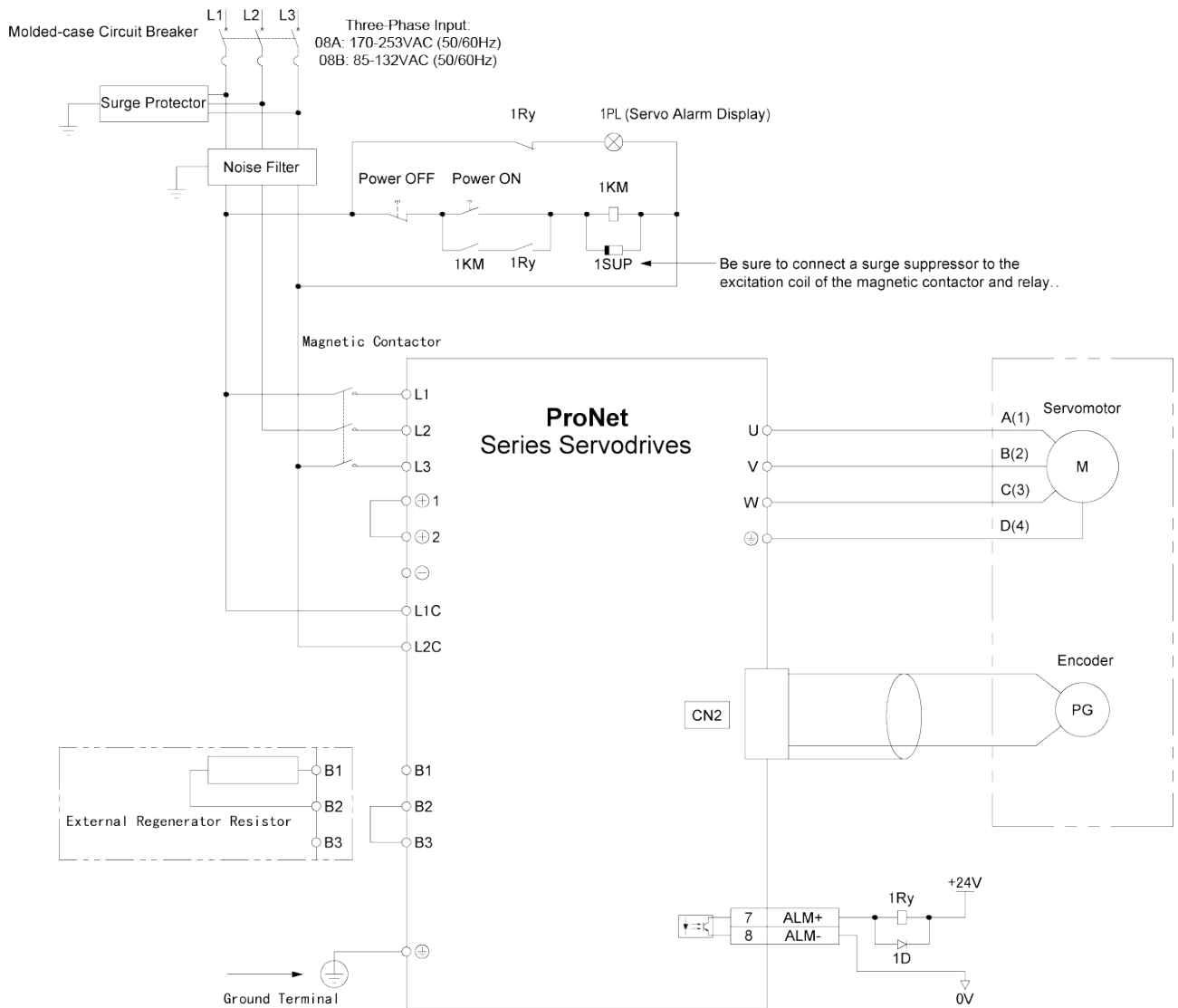
Dimensions are in mm



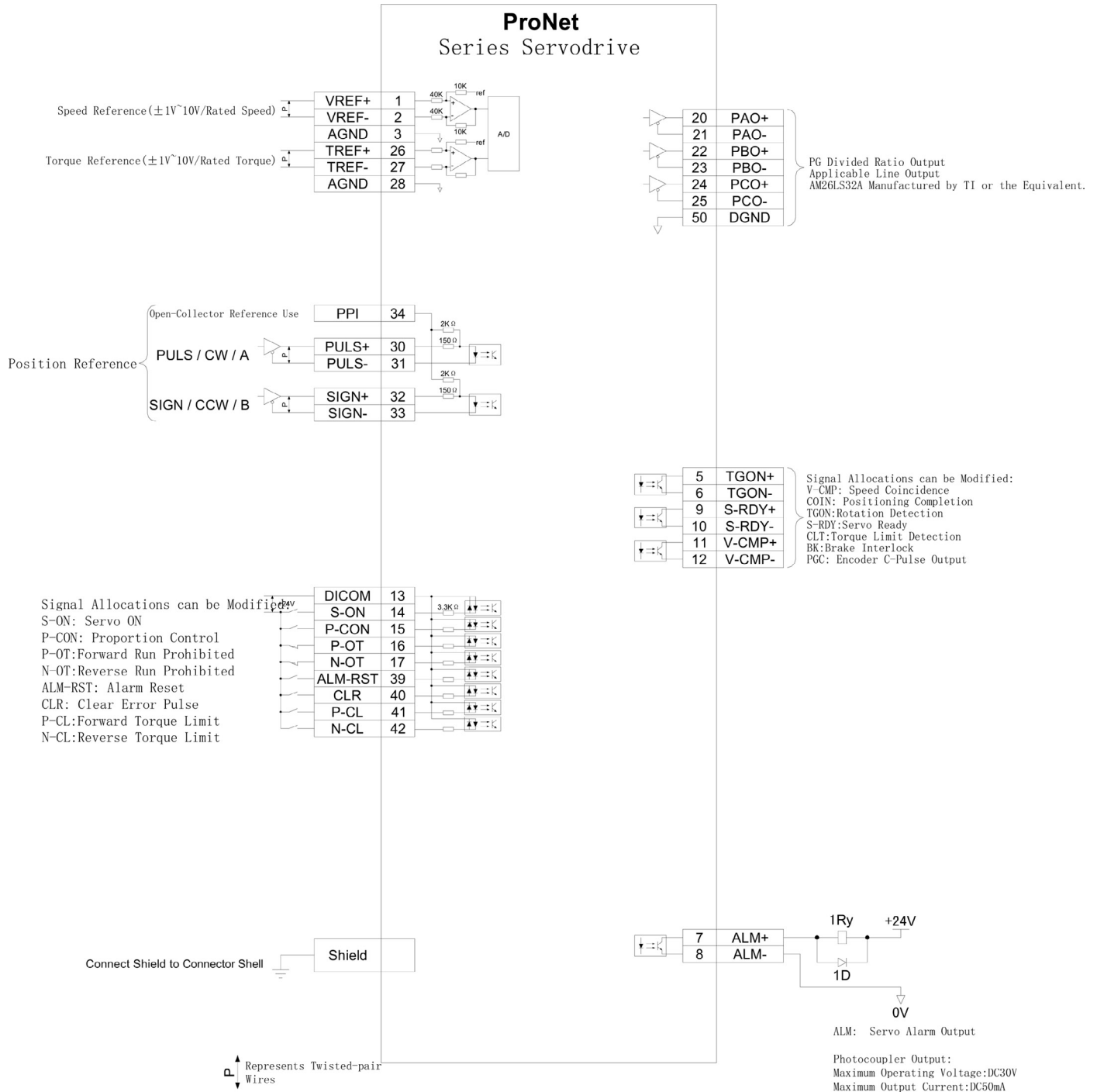
A - Continuous Working Area

B - Intermittent Working Area





Note: The Surge Protector, Noise Filter, Magnetic Contactor, and the Regenerative Resistor are Optional.



Compatible Drivers

Part Number	Description
PRONET-E-10A	1.0kW Servo Driver



Compatible Motors

Part Number	Description
EMG-10APB22	2000 RPM Servo Motor
EMG-10APB24	2000 RPM Servo Motor
EML-10APB22	1000 RPM Servo Motor
EML-10APB24	1000 RPM Servo Motor



Compatible Cables

Part Number	Description
PDM-GA16-05-II	Motor Power Cable
PMP-GA24-05-II	Encoder Cable
PDMB-GA14-05-II	Motor Power + Brake Cable
PRONET-PSC-CC24-02	Communication Cable

